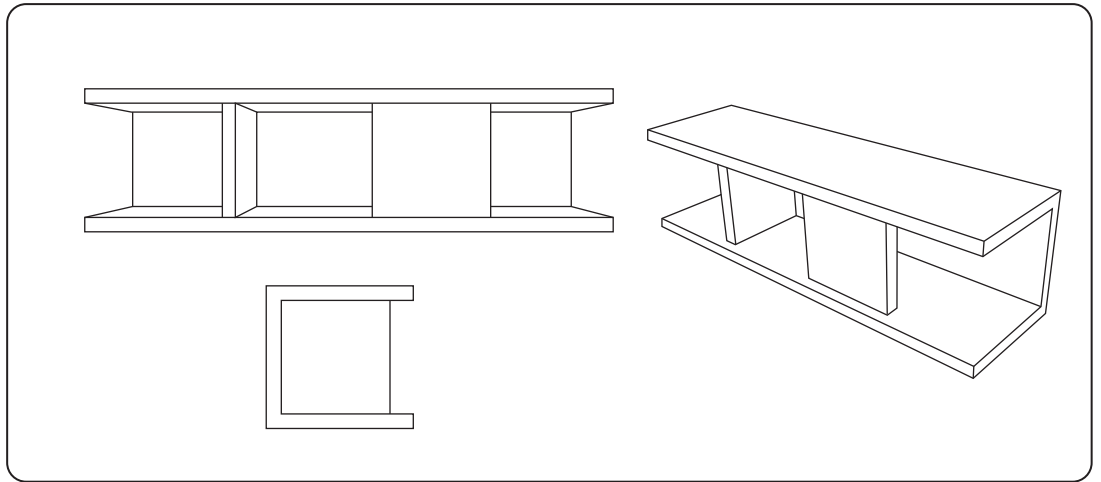




# C 180

by Axel Enthoven



## TECHNICAL SPECIFICATIONS

Dimensions - cm/inch	Ø 180/70,9 - D. 55/21,6 - H. 55/21,6
Packaging - cm/inch	L. 200/78,7 - D. 70/27,6 - H. 70/27,6
Weight - kg/lbs	53,5/117,7
#cartons	1
Volume - m <sup>3</sup>	0,98

### Color

- Walnut stained  
C180WWN
- Swamp Oak  
C180WOK