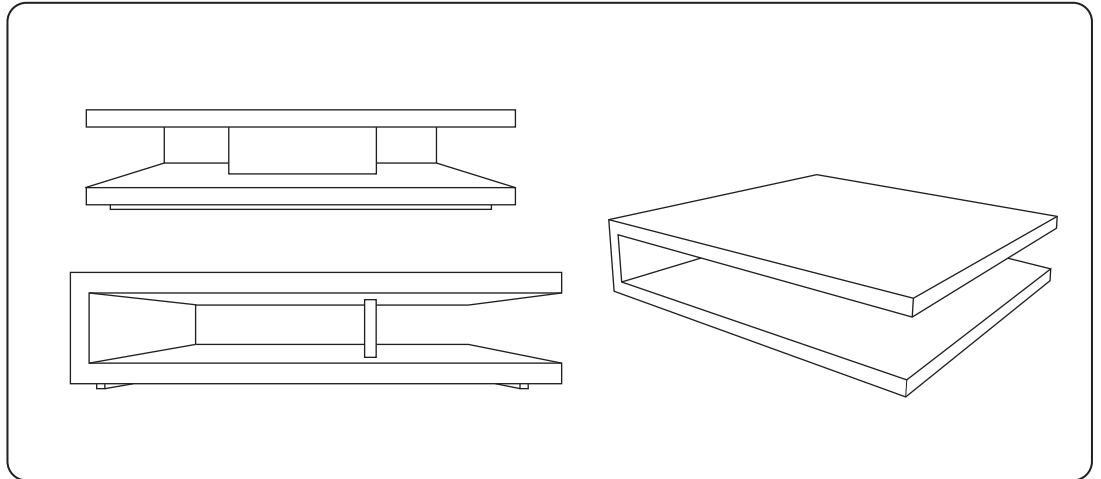




# C 120

by Axel Enthoven



## TECHNICAL SPECIFICATIONS

Dimensions - cm/inch	Ø 120/47,2 - D. 120/47,2 - H. 28/11
Packaging - cm/inch	L. 140/55,1 - D. 140/55,1 - H. 40/15,7
Weight - kg/lbs	53,5/117,7
#cartons	1
Volume - m <sup>3</sup>	0,80

### Color

- Walnut stained  
C120WWN
- Swamp Oak  
C120WOK