

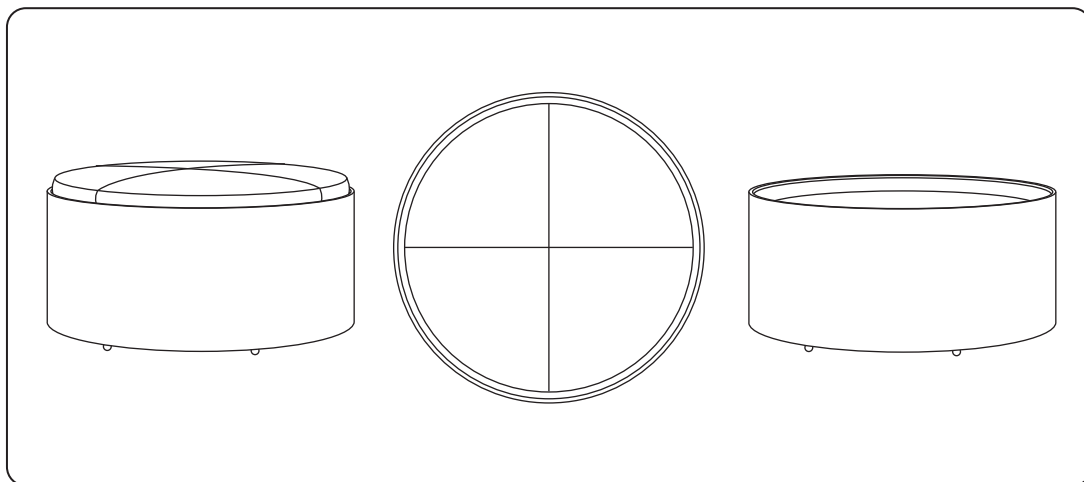


Stoll 90

by Jordi & Borja Veciana

Round foyer table on wheels.

The calf leather cushion in option offers you an excellent "seating island".



TECHNICAL SPECIFICATIONS

Dimensions - cm/inch	Ø 90/35"4 - H. 40(42)/15"7(16"5)
Packaging - cm/inch	W. 94/37" - L. 94/37" - H. 45/17"7
Weight - kg/lbs	27 (30,5)/59,4 (67,1)
#cartons	1
Volume - m ³	0,45

Color

- Walnut stained
ST90WWN
- Oak stained
ST90WOK

Option

- Cushion black calf leather
CUST90BK
- Cushion orange calf leather
CUST90OR
- Cushion dark brown calf leather
CUST90DB
- Cushion camel calf leather
CUST90CA
- Cushion ivory calf leather
CUST90IV