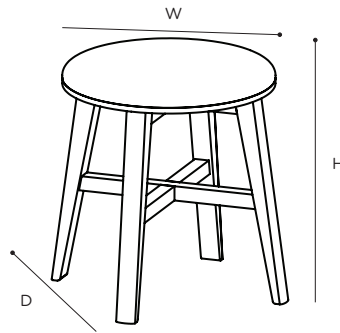


The INK Collection is a dynamic and elegant collection combining simplicity and subtlety. Every piece is used in its purest form in brushed & oiled oak, to show off the striking grain and the quality of the wood. INK stands firm and proud and its defining details are there to be observed.



## TECHNICAL SPECIFICATIONS

Dimensions	cm   W40 x D34 x H46	inch   W15"8 x D13"4 x H18"1
Weight	3,3 kg	7,3 lbs
Packaging	cm   W55 x D55 x H45	inch   W21"7 x D21"7 x H17"7
	1 pc / box   5 kg	1 pc / box   11 lbs
Volume	0,14 m <sup>3</sup>	

### Color

- Oak dark  
INK35WOK
- Oak natural  
INK35WOKN
- Oak customized  
INK35WOKQ (MOQ - 8 pcs)

### Option

- Seat - Calf leather**  
CUINK35XX (BK, CO)
- Seat - Contract leather**  
CUINK35CQ (MOQ - 8 pcs)
- Seat - Fabric A**  
CUINK35FA (MOQ - 2 pcs)
- Seat - Fabric B**  
CUINK35FB (MOQ - 2 pcs)
- Seat - YOURS**  
CUINK35CL

